

T:1.6 Dimensions of PC board holes
Tolerance : ±0.1(Printed-top view)

SCHEMATIC

PJ-R35T3-05C	PJ-R35T3-04R	PJ-R35T3-04L	PJ-R35T3-03	PJ-R35T3-03B

UNLESS OTHERWISE SPECIFIED, TOLERANCE ON DECIMAL: ±0.3

PJ-R35T3-xxx-LF
LEADFREE
RoHS Compliant

8	HOUSING	1	PBT 4815	UL-94V0
7	COVER	1	PBT 4815	UL-94V0
6	AXIS SUPPORT	1	H59(COPPER ALLOY)	MB:Cu Ni PLATED
5	5# CONTACT FOOT	1	C5191 t=0.3	MB:Cu Sn PLATED
4	4# CONTACT FOOT	1	C2680 t=0.4	MB:Cu Sn PLATED
3	3# CONTACT FOOT	1	C2680 t=0.4	MB:Cu Sn PLATED
2	2# CONTACT FOOT	1	C5191 t=0.25	MB:Cu Sn PLATED
1	1# CONTACT FOOT	1	C2680 t=0.5	MB:Cu Sn PLATED
LTR	PART NAME	QTY	MATERIAL	REMARK

MORETHANALL
CONNECTORS
ASSEMBLIES

PART NO. PJ-R35T3-xxx

DWG NO. PJ-R35T3-xxx

FILE NO.

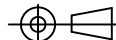
UNIT / mm

SCALE 1:1

CHECKED BY CY

DRAWING BY

PROJECTION



TOLERANCES ARE

.X ± 0.2
.XX ±
.XXX ±
ANG

DESCRIPTION:

AREA

REVISIONS

HK

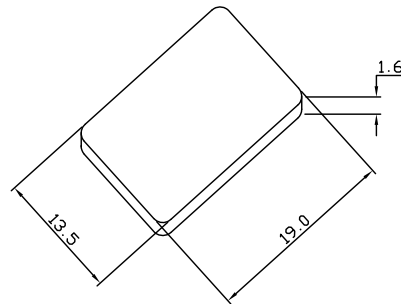
DATE

焯倫股份有限公司

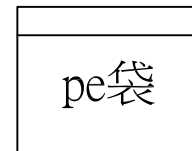
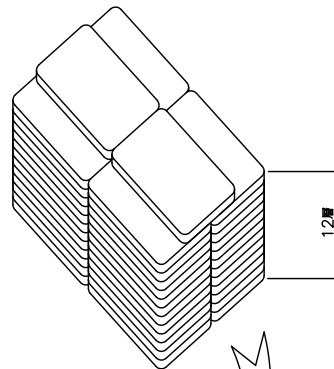
1 2 3 4 5 6 7 8 9 0

J
I
H
G
F
E
D
C
B
A

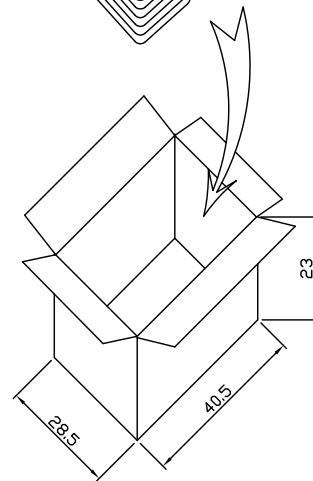
一.塑膠盒
=100pcs/盒



二.紙箱
=4X12X100+200
=5000 PCS



一袋裝1000螺母



一箱裝5袋
即5000螺母

淨重:12 Kg
毛重:13Kg

單位: cm

MORETHANALL
CONNECTORS
ASSEMBLIES

PART NO. PJ-R35T3-xxx

DWG NO. PJ-R35T3-xxx

CHECKED BY CY

TOLERANCES ARE

DESCRIP TION:

FILE NO.

DRAWING BY

.X ±
.XX ±
.XXX ±
AWG

AREA

REVISIONS

HK

DATE

焯倫股份有限公司

UNIT / mm

SCALE 1:1

PROJECTION

