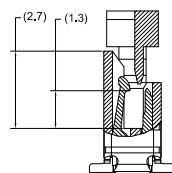
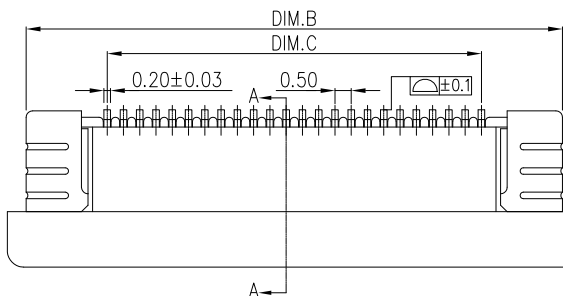
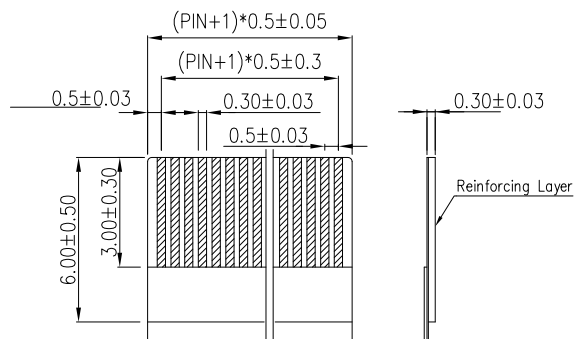
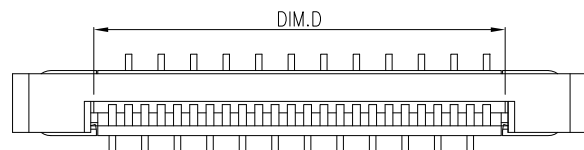


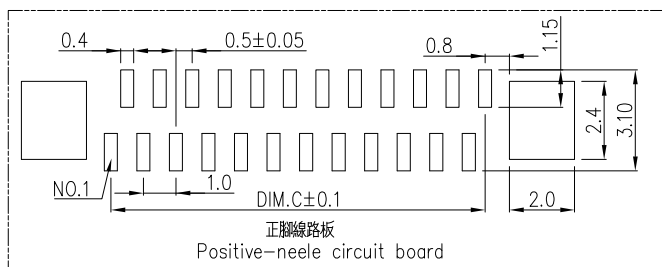
SECTION A-A



SECTION A-A



RECOMMENDED FFC/FPC DIM.



SPEC :

- Housing: High-Temp Plastic, UL94-V
Color: Nature (Lvory) (LCP)
- Locker: High-Temp Plastic, UL94-V
Color: Black (LCP)
- Contact: Phosphor Bronze (C5191)
Initial: 30m Ohms Max.
Voltage Rating: 50V AC, DC
- Solder Tab: BRASS (C2680)
- Temperature Rating : -25°C ~ +85°C
- Dielectric Withstanding Voltage : 500V AC/Min

No. of contacts	Dimensions				
	A	B	C	D	E
4	7.60	6.50	1.50	2.60	4.40
5	8.10	7.00	2.00	3.10	
6	8.60	7.50	2.50	3.60	
7	9.10	8.00	3.00	4.10	
8	9.60	8.50	3.50	4.60	
9	10.10	9.00	4.00	5.10	
10	10.60	9.50	4.50	5.60	
11	11.10	10.00	5.00	6.10	
12	11.60	10.50	5.50	6.60	
13	12.10	11.00	6.00	7.10	
14	12.60	11.50	6.50	7.60	
15	13.10	12.00	7.00	8.10	
16	13.60	12.50	7.50	8.60	
17	14.10	13.00	8.00	9.10	
18	14.60	13.50	8.50	9.60	
19	15.10	14.00	9.00	10.10	
20	15.60	14.50	9.50	10.60	
21	16.10	15.00	10.00	11.10	
22	16.60	15.50	10.50	11.60	
23	17.10	16.00	11.00	12.10	
24	17.60	16.50	11.50	12.60	
25	18.10	17.00	12.00	13.10	
26	18.60	17.50	12.50	13.60	
27	19.10	18.00	13.00	14.10	
28	19.60	18.50	13.50	14.60	
29	20.10	19.00	14.00	15.10	
30	20.60	19.50	14.50	15.60	
31	21.10	20.00	15.00	16.10	
32	21.60	20.50	15.50	16.60	
33	22.10	21.00	16.00	17.10	
34	22.60	21.50	16.50	17.60	

RoHS Compliant

TOLERANCES ARE

MORETHANALL
PCB CONNECTORS
Cable ASSEMBLIES

煜倫股份有限公司

www.morethanall.com

DRAWING BY CY

CHECKED BY GENIUS

UNIT / mm

SCALE 1 : 1

DATE

SIZE A4

PJECTION

X, ±
.X ± 0.30
.XX ± 0.20
.XXX ± 0.10
ANG ±

照片框

ORDER INFORMATION

FPV-VZAL44-xx-LF
SERIES | | | LEADFREE
04~34WAY
HIGH 4.40mm
L TYPE
180°SMT | UPPER/CONTACT
ZIF

DESCRIPTION: 0.5PH 4.4H 抽屜立貼正腳位