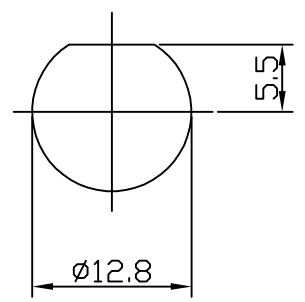
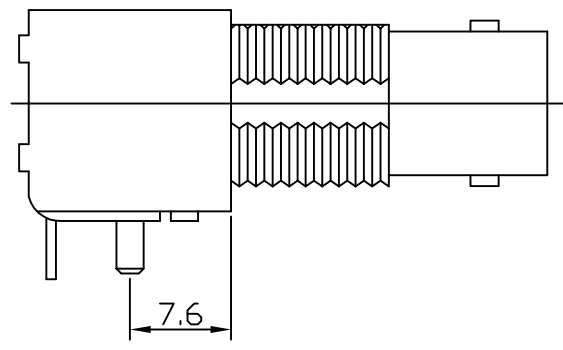
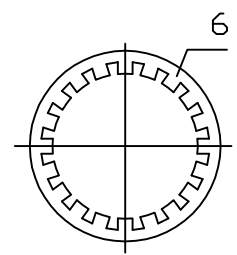


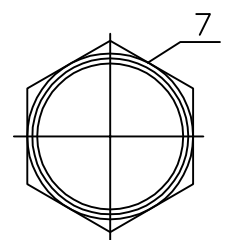
PCB HOLE CONFIGURATION
RECOMMENDED PANEL CUTOUTS



7	NUT	BRASS	NICKEL	1
6	WASHER	IRON	NICKEL	1
5	GROUND TAIL	BRASS	TIN	1
4	MOUNTING POST	BRASS	TIN	1
3	INSULATOR	PDM	NONE	1
2	BODY	ZINC ALLOY	NICKEL	1
1	CENTER CONTACT	PHOSPHOR BRONZE	GOLD	1
NO	DESCRIPTION	MATERIAL	FINISH	QTY



LOCK WASHER



1/2-28UNEF-2B
CLAMP NUT

BNC-JR13WFM-50-LF
LEADFREE

RoHS Compliant



焜倫股份有限公司

PART NO. BNC-JR13WFM-50

DWG NO. BNC-JR13WFM-50

FILE NO.

UNIT / mm

SCALE 1:1

CHECKED BY CY

DRAWING BY

PROJECTION

UNLESS OTHERWISE SPECIFIED TOLERANCES
0.5-5 =±0.2
6-30 =±0.4
30-120 =±0.6
120-315 =±1
315-1000 =±1.6
1000-2000 =±2.4

DESCRIPTION:

50ΩBNC R/A PCB/PANEL MOUNT JACK, METAL BODY

AREA	REVISIONS	HK	DATE